

KUKA omniMove Triple Lift:

KUKA

**The mobile work platform
with triple lifting power**



**KUKA omniMove
KoM TL-2 E575**

»KUKA OMNIMOVE TRIPLE LIFT: THE CLEVER PLATFORM CONCEPT WITH ADDED VALUE

The KUKA omniMove Triple Lift mobile lift platform is the ideal solution if you are looking to reach new heights in safety. The platform is characterized by an impressive and revolutionary lift design: three hydraulic telescopic cylinders enable infinitely variable height adjustment up to eight meters and ensure extreme stability. This allows you to concentrate fully on your work at lofty heights, virtually free from oscillation and with a feeling of security.

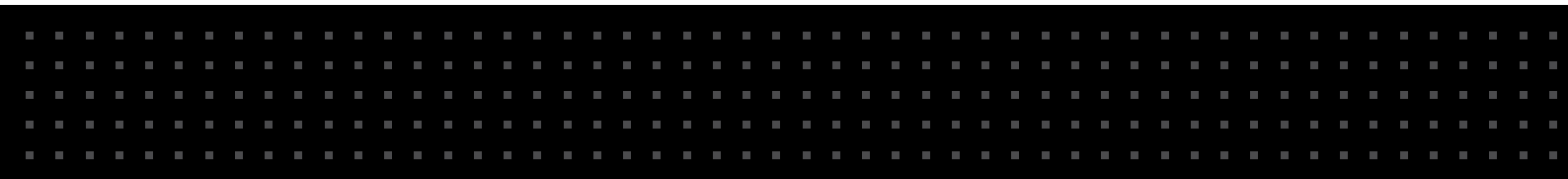
At the same time, the omnidirectional drive technology ensures maximum mobility on the ground – an ingenious combination that always guarantees the optimum working position! **The advantages: unrestricted flexibility and optimum work results.**

»EXTREMELY FLEXIBLE – EXTREMELY STABLE

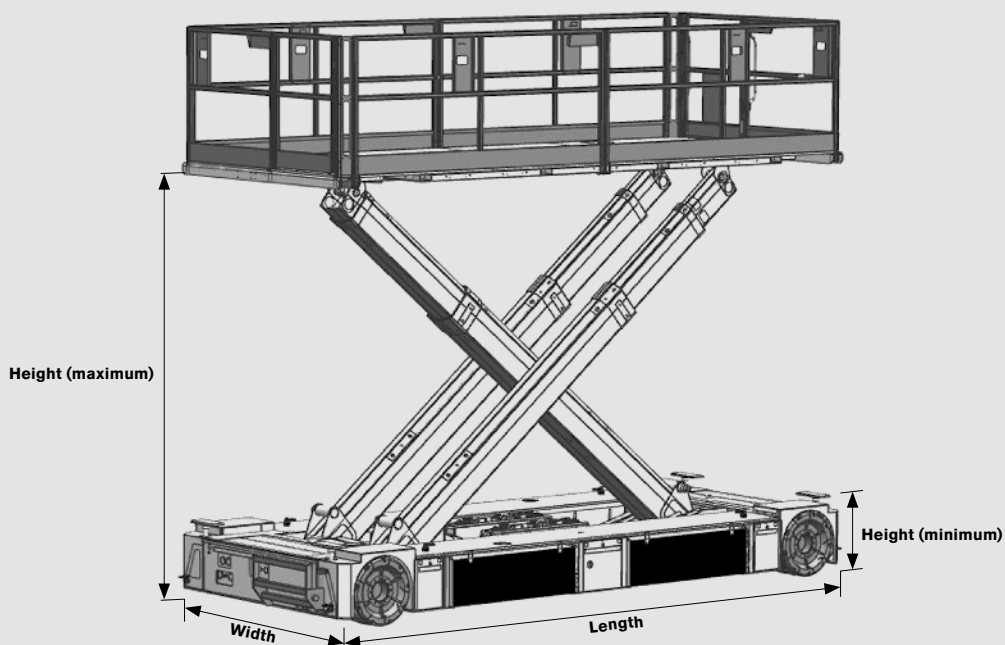
Every working position can be reached simply and without complication: the hydraulic telescopic arms move the platform to working heights of up to eight meters with infinite adjustability. Added convenience: when the work platform is lowered, the entry point is at a height of just 75 cm. The high stiffness of the lifting mechanism ensures even greater convenience and safety by minimizing oscillation of the work platform, thereby enabling efficient work. **The advantages: optimum working position and high efficiency.**

»EXTREMELY QUIET – EXTREMELY SAFE

The highly efficient electrical drive concept ensures a long service life and very quiet operation. Furthermore, the servo-controlled drive ensures accurate guidance tracking. Great emphasis is placed on safety: the KoM TL-2 E575 meets the requirements of all safety standards for lift platforms. Bumper contact strips or laser scanners are available on request, offering additional safety. **The advantages: high efficiency and maximum safety.**



»TECHNICAL DETAILS KOM TL-2 E575



Basic vehicle	KoM TL-2 E575 1000
Length	5,350 mm
Width	2,280 mm
Height (minimum)	750 mm
Height (maximum)	8,000 mm

»EXTREMELY ACCURATE – EXTREMELY USER-FRIENDLY

The KoM TL-2 E575 redefines “pin-point accuracy” in conjunction with lift vehicles: the positioning accuracy is ± 5 mm. With optionally available positioning aids, such as optical or inductive guidance systems, maneuvering is child’s play. The ideal working position can be reached quickly and safely at all times. The system can be flexibly navigated by radio remote control using a joystick or, on request, by means of a steering system mounted on the platform. **The advantages: utmost precision and simple operator control.**



»EXTREMELY MOBILE – EXTREMELY COMPACT

Thanks to their omnidirectional drive technology, the platforms can be moved in any direction from a standing start with translational or rotational motions. This makes positioning the vehicle in confined spaces a routine matter – even with the work platform raised – thus saving space and time. **The advantages: enormous mobility and high flexibility.**



The omnidirectional wheels mean that platforms can be moved in any direction from a standing start.

Basic vehicle	KoM TL-2 E575 1000
Payload	1,000 kg
Weight (approx.)	10,000 kg
Drive power	32 kW
Number of wheels	4
Wheel diameter	575 mm
Maximum surface compression (wheel on floor)	7.5 N/mm ²
Drive concept	Electrical
Velocity with platform retracted	0 – 0.6 m/s
Positioning accuracy (standard)	±5 mm
Lift time (to full lift height)	130 s
Vehicle length	5,350 mm
Vehicle width	2,280 mm
Minimum height of platform (without railing)	750 mm
Maximum height of platform (without railing)	8,000 mm
Number of high-performance lead batteries	16
Voltage/power supply for charger	3x 400 V + PE AC; CEE 32 A
Operating temperature	+5 °C to +35 °C
Protection class of vehicle	IP 54
Control	Operator-guided with radio control
Available options packages	<ul style="list-style-type: none"> • Battery charging via floor contacts • Bumpers with contact strips • Laser scanners • Enabling switches • Optical or inductive guidance • Halogen-free cabling • Skydrol resistance • Explosion protection • Headlights

Details provided about the properties and usability of the products are purely for information purposes and do not constitute a guarantee of these characteristics. The extent of goods delivered and services performed is determined by the subject matter of the specific contract. No liability accepted for errors or omissions.



»THE KUKA ROBOT GROUP: YOUR STRONG PARTNER

Quality made in Germany, creativity and the utmost commitment to customers and business partners: these form the basis on which KUKA develops the best possible technologies and thus the optimal automation concepts. The result is that you receive custom-tailored solutions and benefit from decisive process optimization.

Genuine passion for the fascination of robotics is reflected in our slogan “KUKA YOUR IDEAS”, which is also our promise to you: Whatever you want to do, and however unusual your idea may be, with us you can implement anything – irrespective of the specific branch of industry and irrespective of whether or not a similar application has existed before.

Whatever task you give us, we have the required specialists. In close cooperation with experienced system partners with competence in their respective industries, we do everything in our power to implement your ideas. Let us work on them together.

»KUKA SERVICES: ALWAYS THERE FOR YOU

You can rely on us to stand by you in every phase of a project: from planning and commissioning to maintenance and conversion. 24 hours a day. 365 days a year. The high-density KUKA service network ensures that we are always in your vicinity and can start your production in record time.

KUKA YOUR IDEAS

KUKA ROBOTER GMBH

Global Sales Center
Hery-Park 3000
86368 Gersthofen
Germany
Tel. +49 821 4533-0
Fax +49 821 4533-1616
info@kuka-roboter.de

Additional contact addresses:
www.kuka-robotics.com